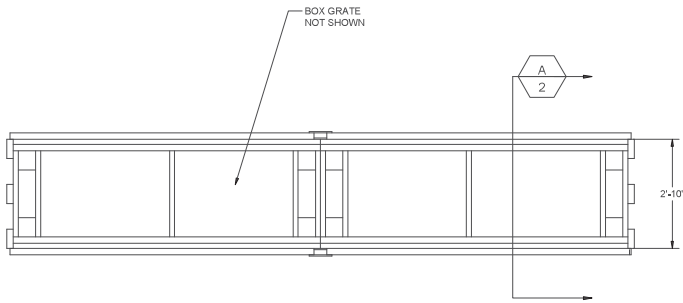
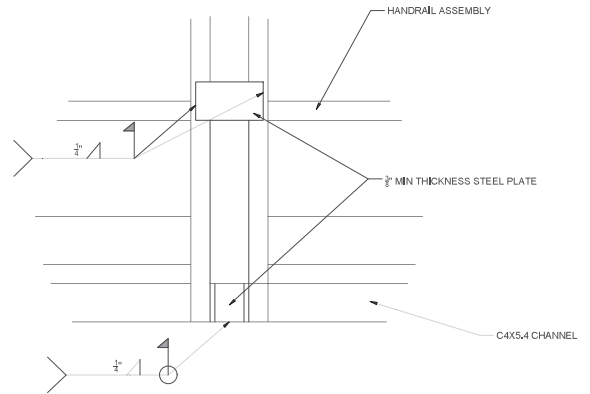


NOTES:

1. MAXIMUM WORKING LOAD 50 LBS/SF
OR 800 LB TOTAL
2. BRIDGE CONSTRUCTION AS
DESCRIBED IN PROVIDED DRAWINGS
DATED 8/11/18 AND STAMPED 3/11/19
BY BRADLEY A SIMS, PE (CA)

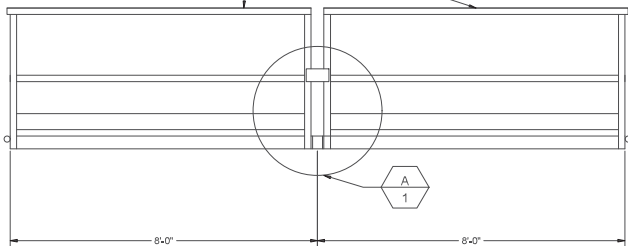


PLAN 1" = 5'

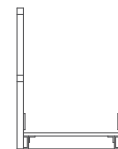


DETAIL NTS

2X 8' BRIDGE AND HANDRAIL ASSEMBLY
PER UNITED RENTALS DRAWING DATED 8/11/18
STAMPED 3/11/19 BY BRADLEY A. SIMS, PE (CA)



PROFILE 1" = 5'



SECTION 1" = 5'



TWO BRIDGES



DRAWN BY: AJS
CHECKED BY: JKA
PROJECT NUMBER: 29.24.5209.01

CLIENT: TRENCH-ADE
DATE: 03/13/2024

SCALE: AS SHOWN

FIGURE TITLE: BRIDGE CONNECTION

FIGURE NO.: 1